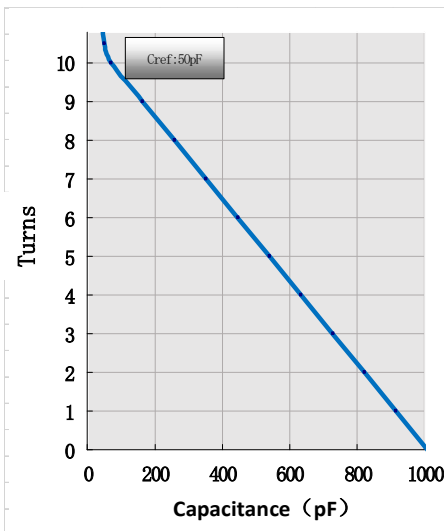
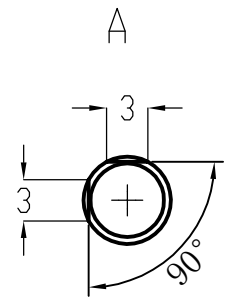


Data-Sheet-Variable Vacuum Capacitor YL67-8-1000

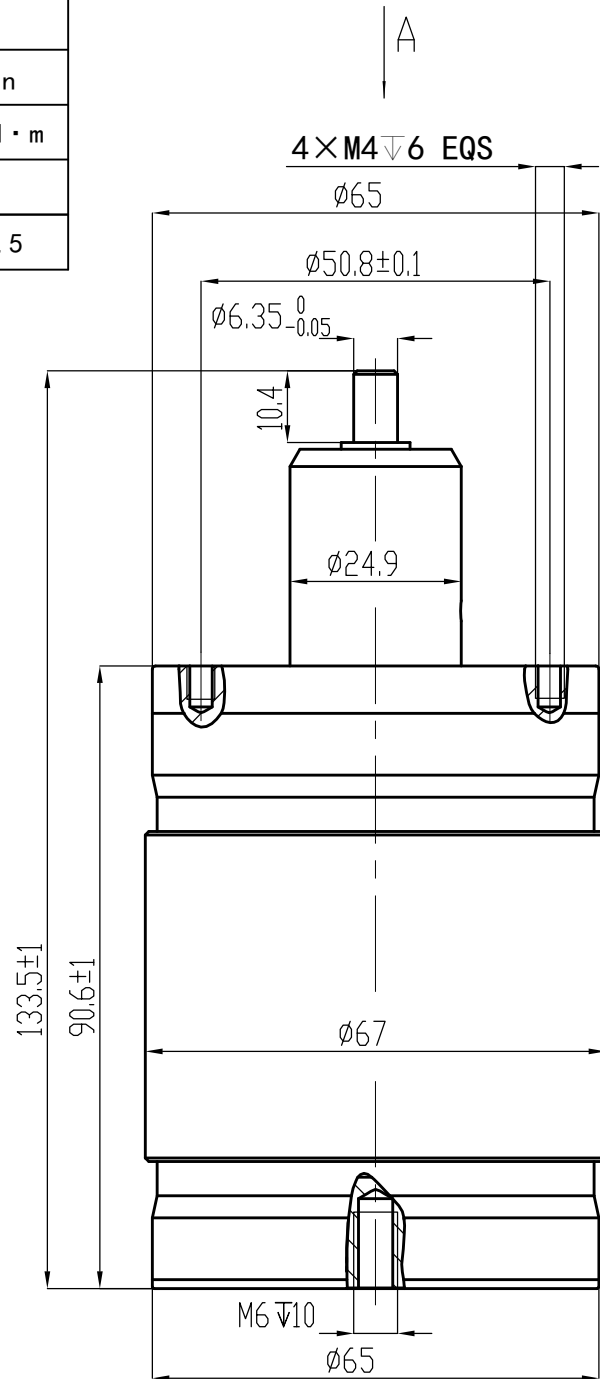
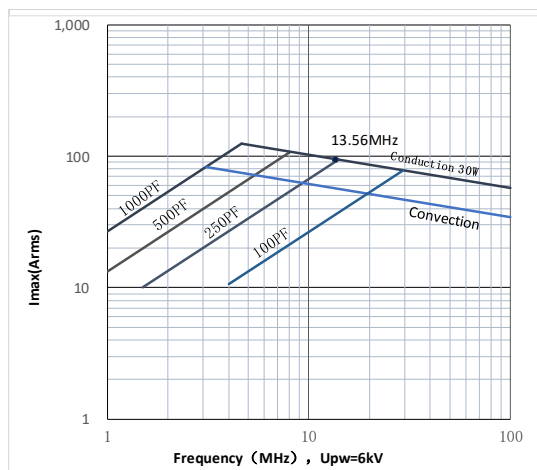


www.glvac.com

| Specification | |
|--|----------------------|
| Capacity C_{max} (nominal) | 1000pF |
| Capacity C_{min} (nominal) | 100pF |
| Voltage (Peak Test U_{pt} /Peak Working U_{pw}) | 8KVp/4. 8KVp |
| Capacity Tolerance (Linear Range) | $\pm 5\%$ |
| Max. Current I_{max} at 13.56MHz with | 95Arms |
| Conduction Cooling | 30W |
| Capacitance per turn | 94pF/turn |
| Torque | $\leq 0.18N \cdot m$ |
| Net Weight | 0.9kg |
| Turns | 10.5 ± 0.5 |



I_{max} at 25 °C ambient and 125 °C surface for convection and conduction (30W) cooling



UNLESS OTHERWISE SPECIFIED:

$\leq 30: \pm 0.5$ $30 \sim 400: \pm 1.2$ $\geq 400: \pm 2.5$ $\angle \pm 1^\circ$

Rev:02

Page: 1/1

Issue: 26-Jan-2021

Address: ST28 Xihu Road, Kunshan, Jiangsu Province, China
TEL: +86 (512) 36872110

Web: www.glvac.com
FAX: +86 (512) 36872122

E-mail: e-sales@glvac.cn
Zip Code: 215222