

Data-Sheet-Trimmer Vacuum Capacitor

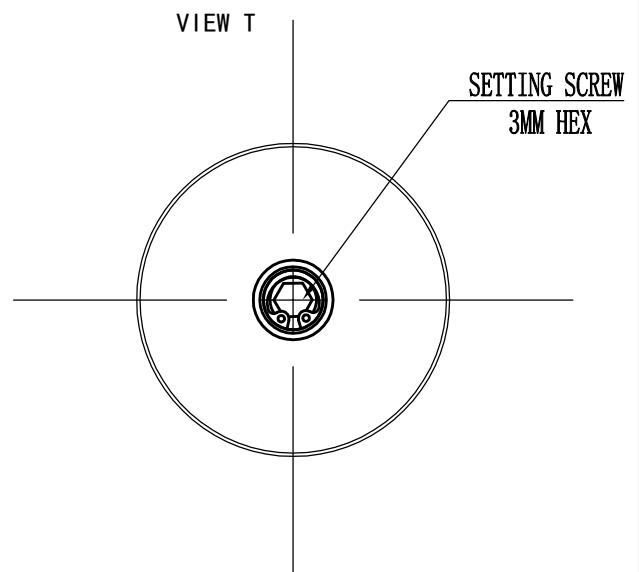
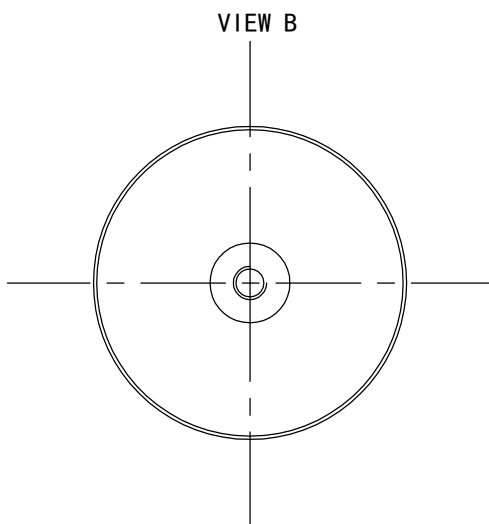
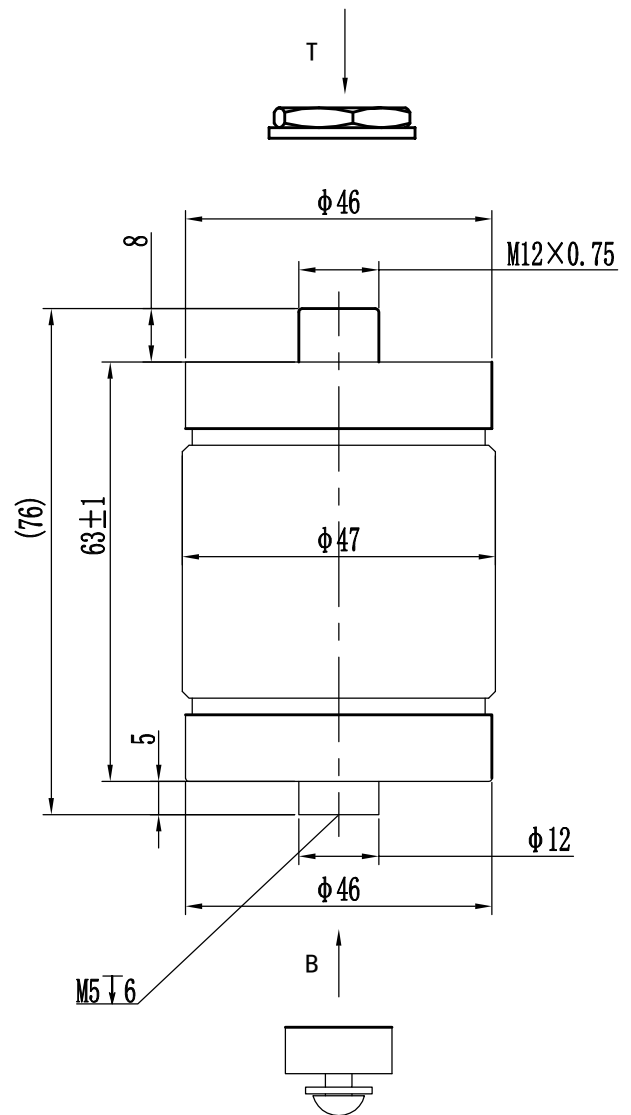
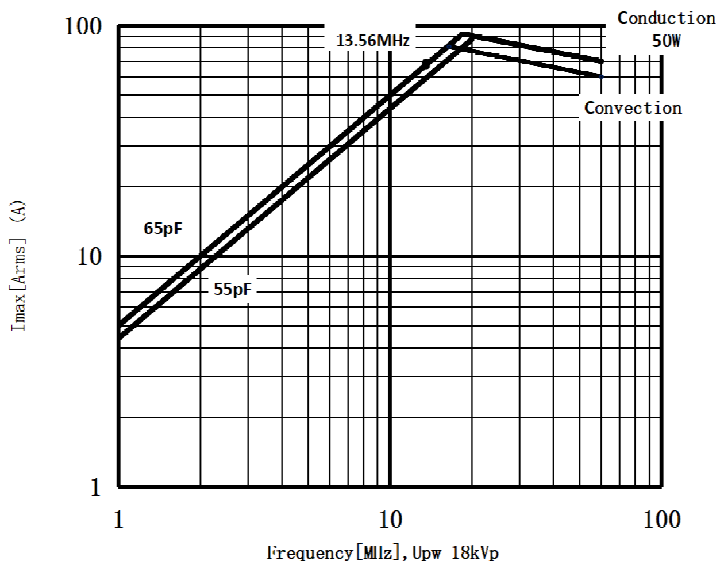
CKTBT60/18/70



www.glvac.com

Specifications	
Capacity C_{max} (nominal)	65pF
Capacity C_{min} (nominal)	55pF
Voltage (Peak Test U_{pt} /Peak Working U_{pw})	30KVp/18KVp
Max. Current I_{max} at 13.56MHz with	70Arms
Conduction Cooling	50W
Capacitance per turn	2.6pF/turn
Torque	<0.2N · m
Net Weight	0.4kg

I_{max} at 25°C ambient and 125°C surface temp.
for convection and conduction (50W) cooling



UNLESS OTHERWISE SPECIFIED:

≤30: ±0.5 30~400: ±1.2 ≥400: ±2.5 ∠: ±1°

Rev: 00

Page1/1

Issue: 01-Nov-2022

Address: ST28 Xihu Road, Kunshan, Jiangsu Province, China
TEL: +86 (512) 36872110

Web: www.glvac.com
FAX: +86 (512) 36872122

E-mail: e-sales@glvac.cn
Zip Code: 215333