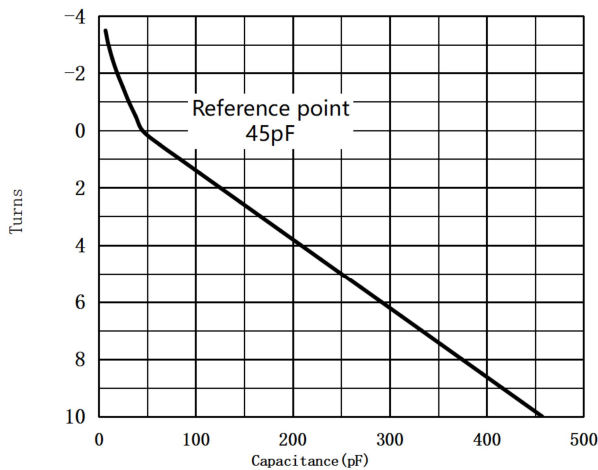
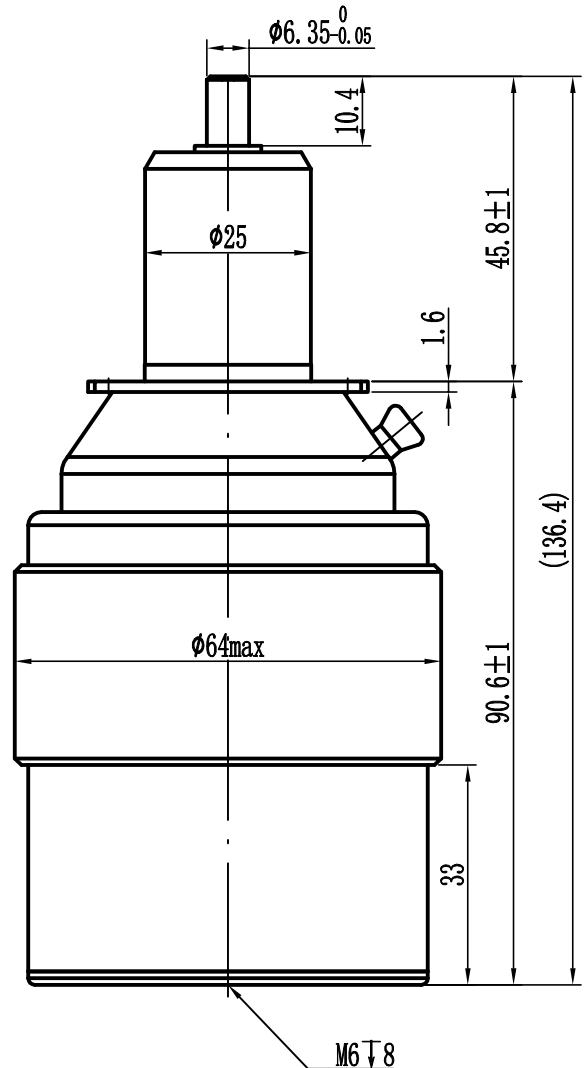


# Data-Sheet-Variable Vacuum Capacitor CKTB450/12/94N1

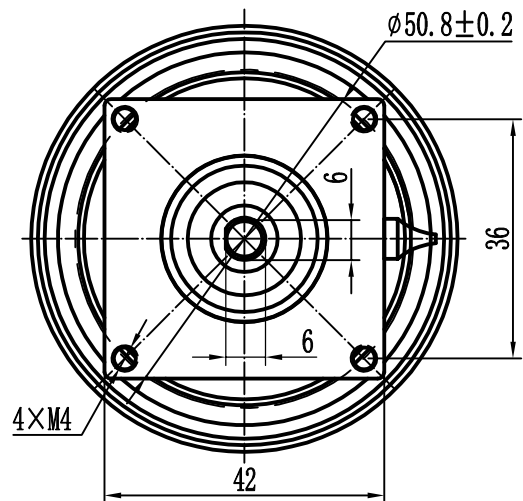
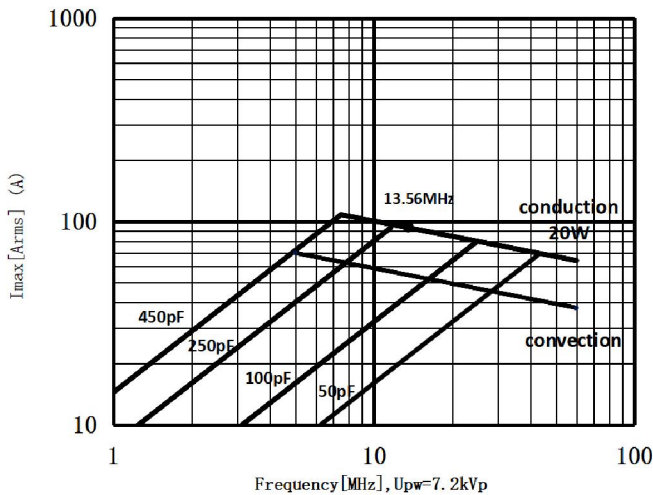


www.glvac.com

Specifications	
Capacity $C_{max}$ (nominal)	450pF
Capacity $C_{min}$ (nominal)	7pF
Voltage (Peak Test $U_{pt}$ /Peak Working $U_{pw}$ )	12kVp/7.2kVp
Capacity Tolerance (Linear Range)	$\pm 5\%$
Max. Current $I_{max}$ at 13.56MHz with conduction cooling	94Arms
	20W
Self Inductance	$\leq 9nH$
Turns	$13 \pm 0.5$
Capacitance per turn	41.5pF/turn
Torque	$\leq 0.2 N \cdot m$
Net Weight	0.7kg



$I_{max}$  at 25°C ambient and 125 °C surface temp. for convection and conduction (20W) cooling.



UNLESS OTHERWISE SPECIFIED:

$\leq 30$ :  $\pm 0.5$      $30 \sim 400$ :  $\pm 1.2$      $\geq 400$ :  $\pm 2.5$      $\angle$ :  $\pm 1^\circ$

Rev: 00

Page 1/1

Issue: 09-Jan-2025

Address: ST28 Xihu Road, Kunshan, Jiangsu Province, China  
TEL: +86 (512) 36872110

Web: www.glvac.com  
FAX: +86 (512) 36872122

E-mail: e-sales@glvac.com  
Zip Code: 215333