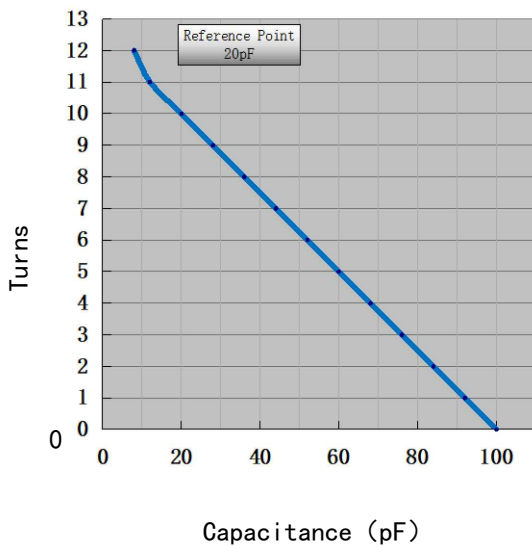
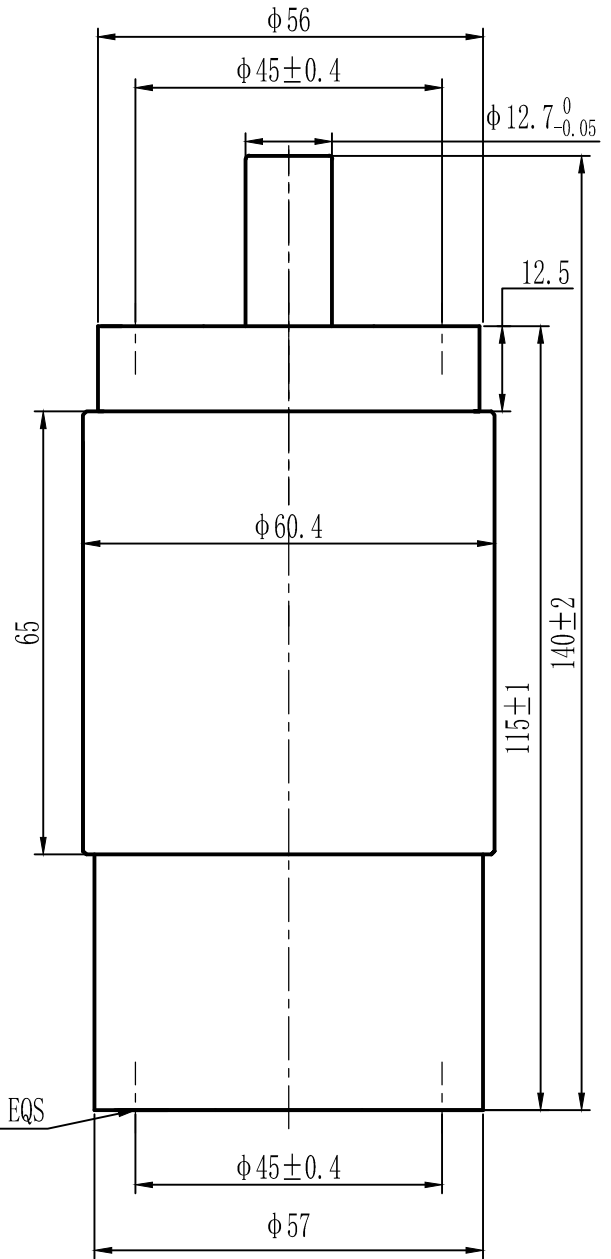


# Data-Sheet-Variable Vacuum Capacitor CKTB100/15/54

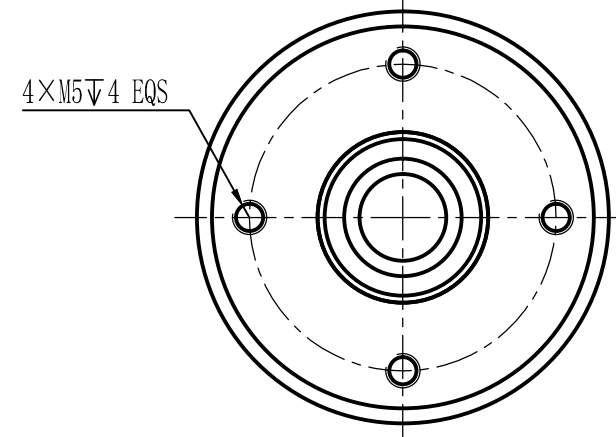
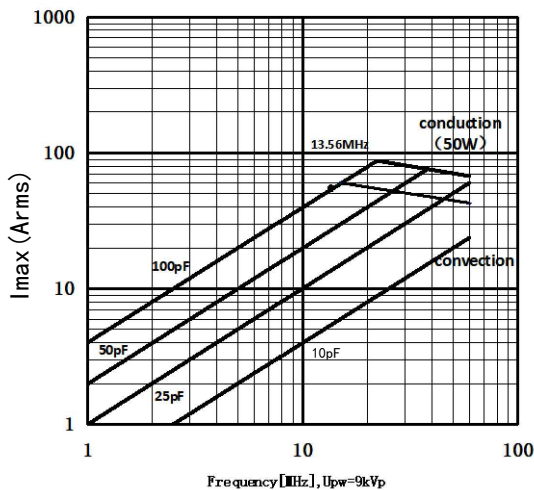


www.glvac.com

Specification	
Capacity $C_{max}$ (nominal)	100pF
Capacity $C_{min}$ (nominal)	10pF
Voltage (Peak Test $U_{pt}$ /Peak Working $U_{pw}$ )	15kVp/9kVp
Capacity tolerance (Linear Range)	$\pm 10\%$
Max. Current $I_{max}$ at 13.56MHz with	54Arms
Conduction Cooling	50W
Tuner Turns	$12 \pm 1$
Capacitance per turn	8pF/turn
Torque	$\leq 0.2Nm$
Net Weight	1.0kg



$I_{max}$  at 25°C ambient and 125 °C surface temp. for convection and conduction (50W) cooling



UNLESS OTHERWISE SPECIFIED:

$\leq 30$ :  $\pm 0.5$     $30 \sim 400$ :  $\pm 1.2$     $\geq 400$ :  $\pm 2.5$     $\angle$ :  $\pm 1^\circ$

Rev: 00

Page 1/1

Issue: 1-Dec.-2022

Address: ST28 Xihu Road, Kunshan, Jiangsu Province, China  
TEL: +86 (512) 36872110

Web: www.glvac.com  
FAX: +86 (512) 36872122

E-mail: e-sales@glvac.cn  
Zip Code: 215333