

Data-Sheet-Fixed Capacitor

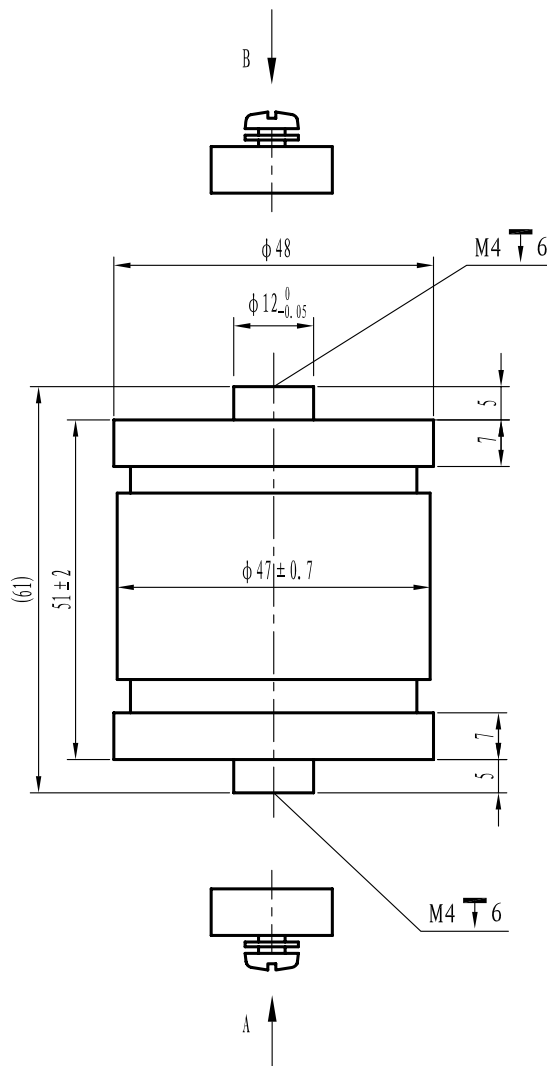
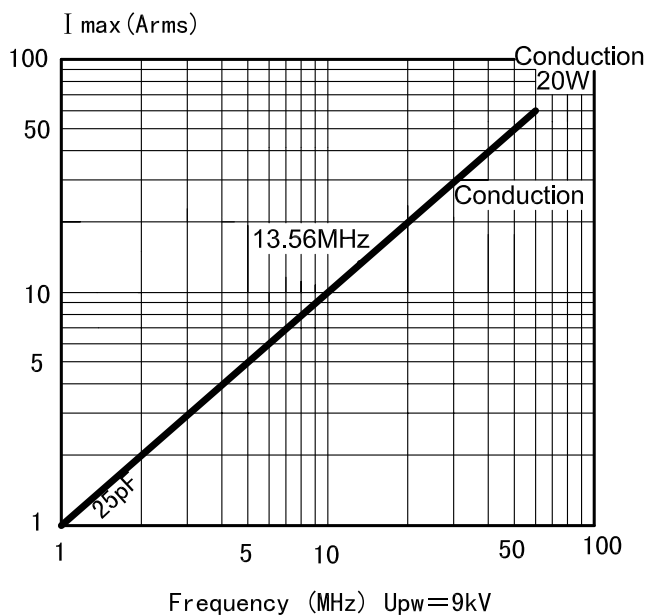
CKT25/10/13



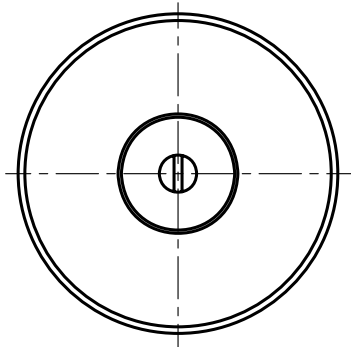
www.glvac.cn

Specification	
Capacity C_{max} (nominal)	25pF
Voltage (Peak Test U_{pt} /Peak Working U_{pw})	15kV/9kV
Capacity tolerance	+0.3~+1pF
Max. Current I_{max} at 13.56MHz with	13Arms
Conduction Cooling	20W
Net Weight	0.34kg

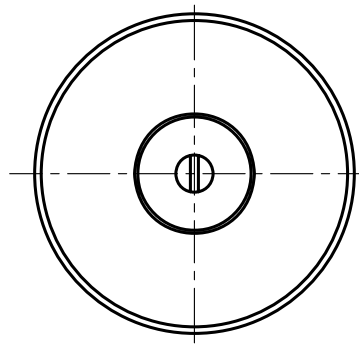
I_{max} at 25 °C ambient and 125 °C surface for convection and conduction (20w) cooling



VIEW A



VIEW B



UNLESS OTHERWISE SPECIFIED:

≤30: ±0.5 30~400: ±1.2 ≥400: ±2.5 ∠: ±1°

Rev: 00

Page1/1

Issue: 24-Oct-2019

Approved By:

Data:

Company: