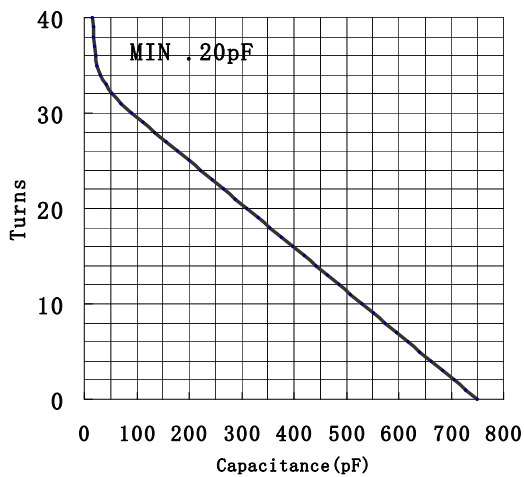


Data-Sheet-Variable Capacitor CKTB750/28/220

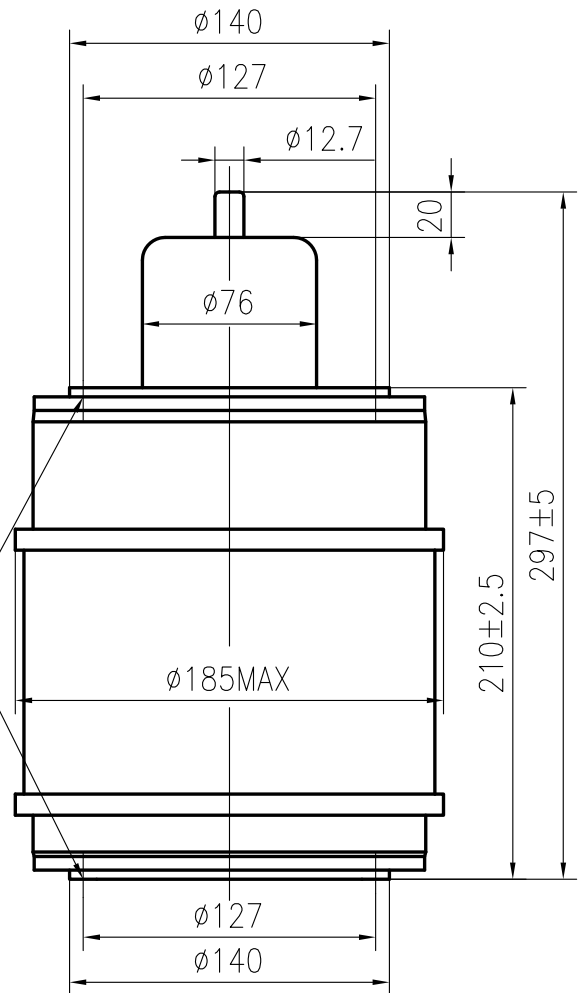


www.glvac.com

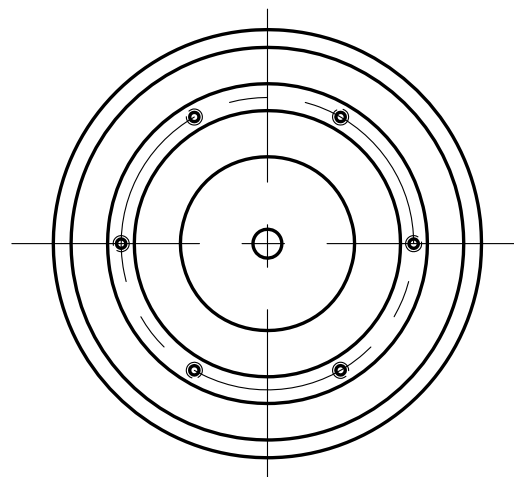
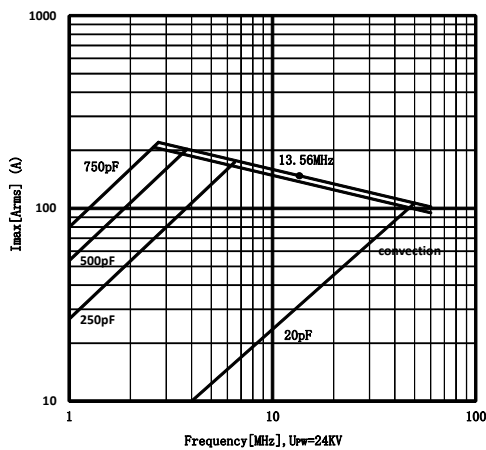
Specification	
Capacity C_{max} (nominal)	750pF
Capacity C_{min} (nominal)	20pF
Voltage (Peak Test U_{pt} /Peak Working U_{pw})	40kV/24kV
Capacity tolerance (linear Range)	10%
Max. Current I_{max} at 2.75MHz with	220Arms
Conduction Cooling	50W
Capacitance per turn	22pF/turn
Torque	$\leq 1.5Nm$
Net Weight	9kg



1/4-20 UNC-2B 9 THDS.MIN:6
HOLES EQ.SP.



I_{max} at 25°C ambient and 125°C surface temp.
for convection and conduction (50W) cooling



UNLESS OTHERWISE SPECIFIED:

$\leq 30: \pm 0.5$ $30 \sim 400: \pm 1.2$ $\geq 400: \pm 2.5$ $\angle \pm 1^\circ$

Address: ST28 Xihu Road, Kunshan, Jiangsu Province, China
TEL: +86 (512) 36872110

Rev:02

Web: www.glvac.com
FAX: +86 (512) 36872122

Page 1/1

Issue: 17-Nov-2020

E-mail: e-sales@glvac.cn
Zip Code: 215333