



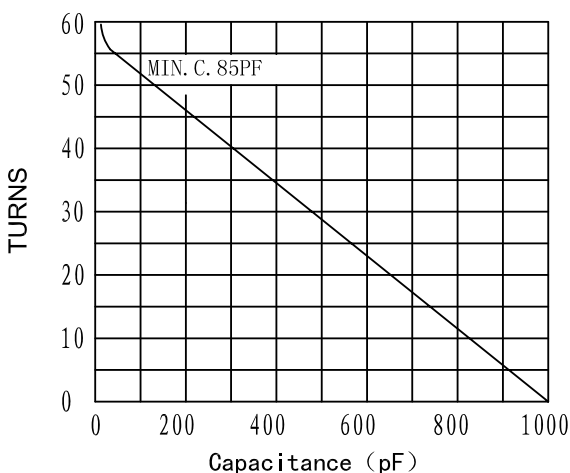
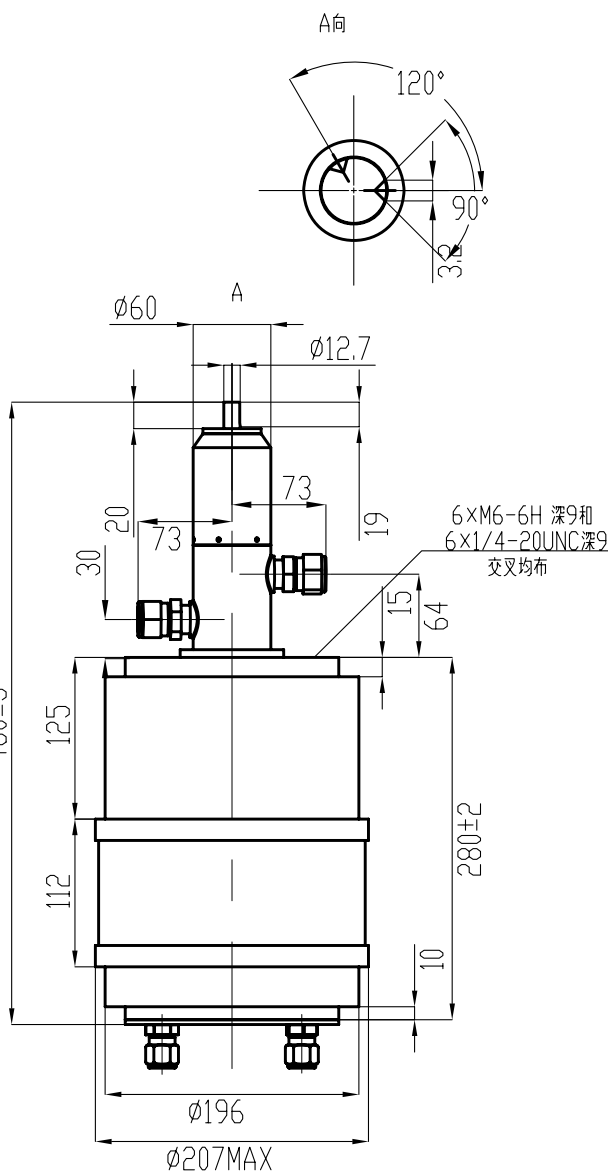
Data-Sheet-Variable Vacuum Capacitor

CKTBS1000/35/843



www.glvac.cn

Specification	
Capacity $C_{max}$ (nominal)	1000pF
Capacity $C_{min}$ (nominal)	85pF
Voltage (Peak Test $U_{pt}$ /Peak Working $U_{pw}$ )	50KV/30KV
Capacity tolerance (liner Range)	10%
Max. Current $I_{max}$ at 13.56MHz with	843Arms
Water Cooling	25L/min
Capacitance per turn	32.6pF/turn
Torque	$\leq 1.5Nm$
Net Weight	21Kg



$I_{max}$  for 25L/min Water cooling; max. temperature at inlet 70°C max Fix end has to be cooled with min. 50W

