



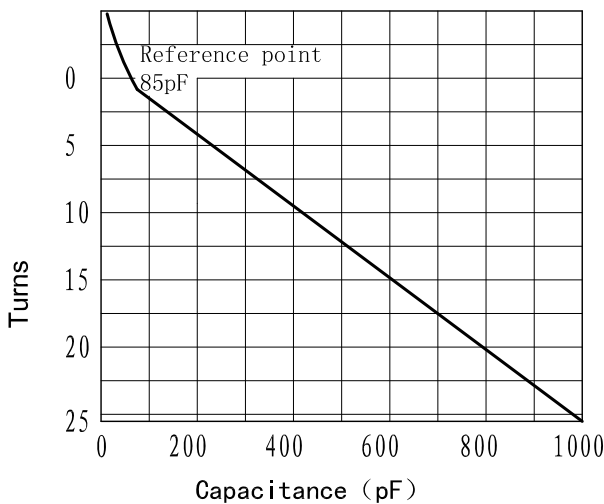
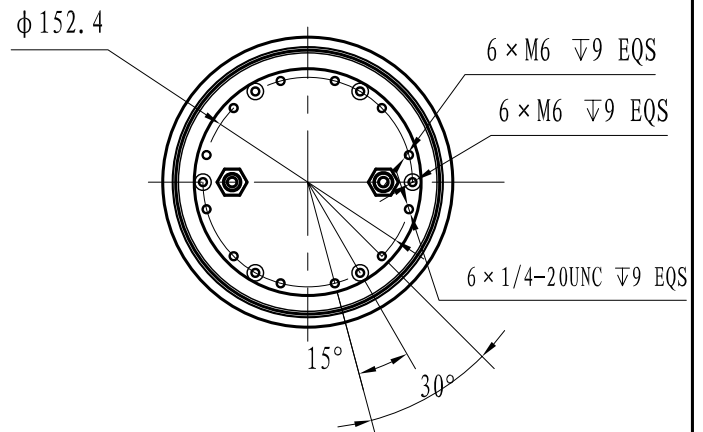
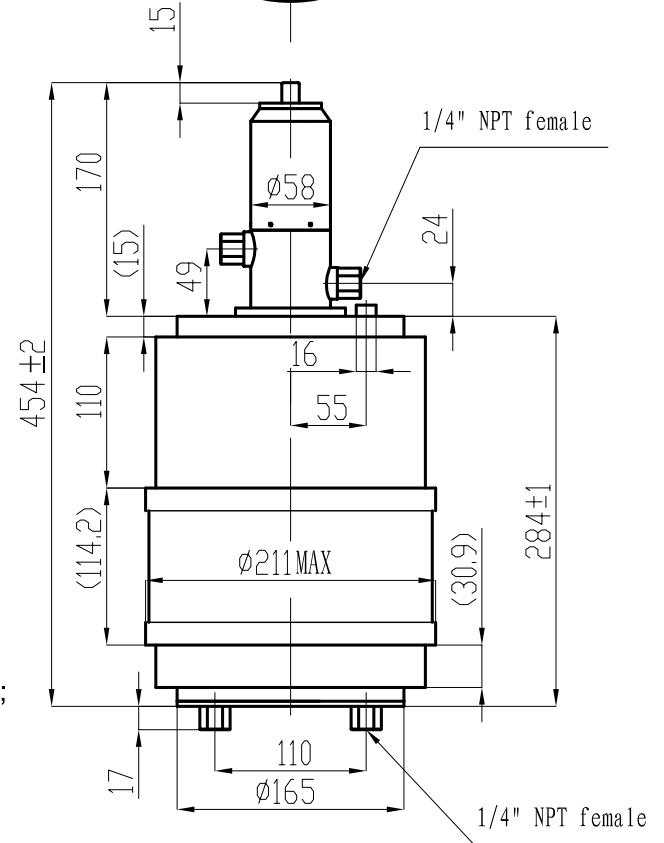
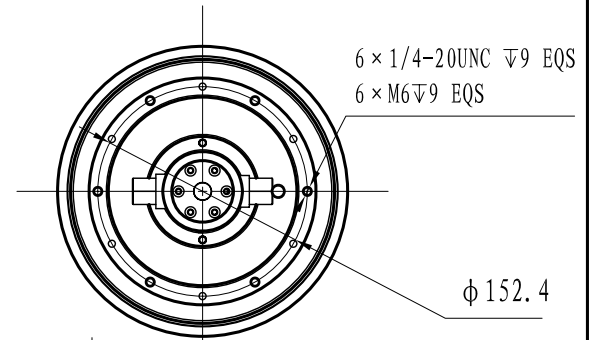
Data-Sheet-Variable Vacuum Capacitor

CKTBS1000/35/602



www.glvac.cn

Specification	
Capacity C_{max} (nominal)	1000pF
Capacity C_{min} (nominal)	85pF
Voltage (Peak Test U_{pt} /Peak Working U_{pw})	50KV/30KV
Capacity tolerance (liner Range)	10%
Max. Current I_{max} at 13.56MHz with	602Arms
Water Cooling	15 l/min
Capacitance per turn	35.7pF/turn
Torque	$\leq 1.5 \text{ N} \cdot \text{m}$
Net Weight	18.5Kg



I_{max} for 15 l/min water cooling ; max.temp.at inlet 70°C ; fixed end has to be water cooled with min. 8 l/min

