

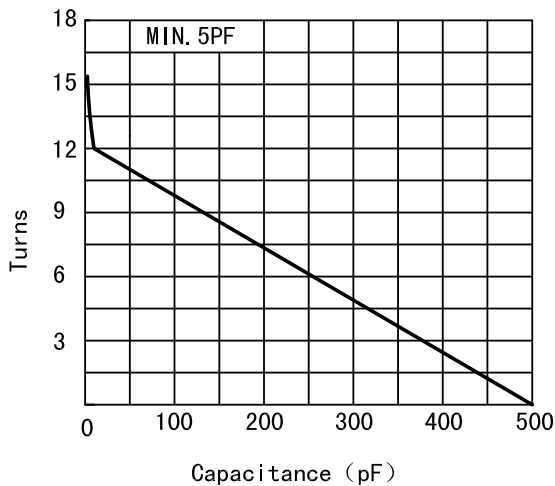
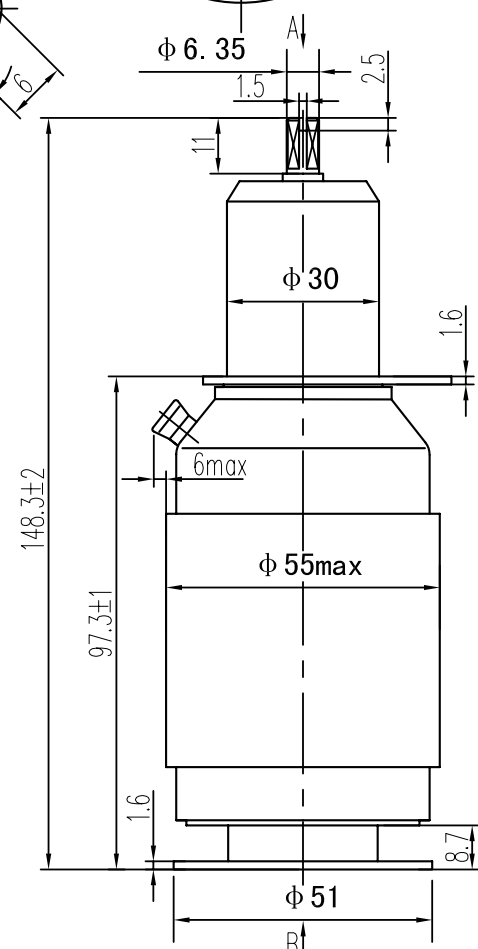
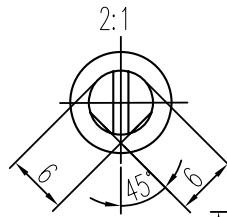
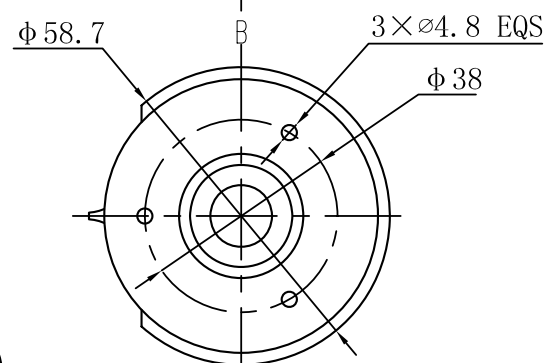
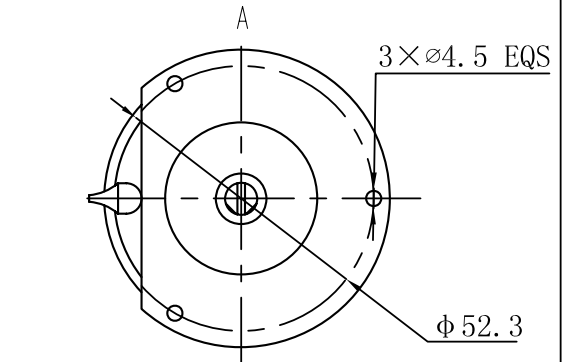


Data-Sheet-Variable Vacuum Capacitor CKTB500/3.5/57(V)



www.glvac.cn

Specification	
Capacity C_{max} (nominal)	500pF
Capacity C_{min} (nominal)	5pF
Voltage (Peak Test U_{pt} /Peak Working U_{pw})	5kV/3kV
Capacity tolerance (liner Range)	10%
Max. Current I_{max} at 13.56MHz with Convection Cooling	57Arms 10W
Capacitance per turn	41pF/turn
Torque	$\leq 0.2Nm$
Net Weight	0.6kg



I_{max} at 25°C ambient and 125 °C surface for convection and conduction (10W) cooling

