

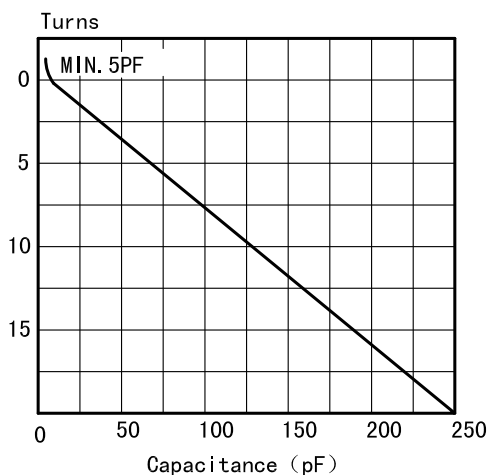
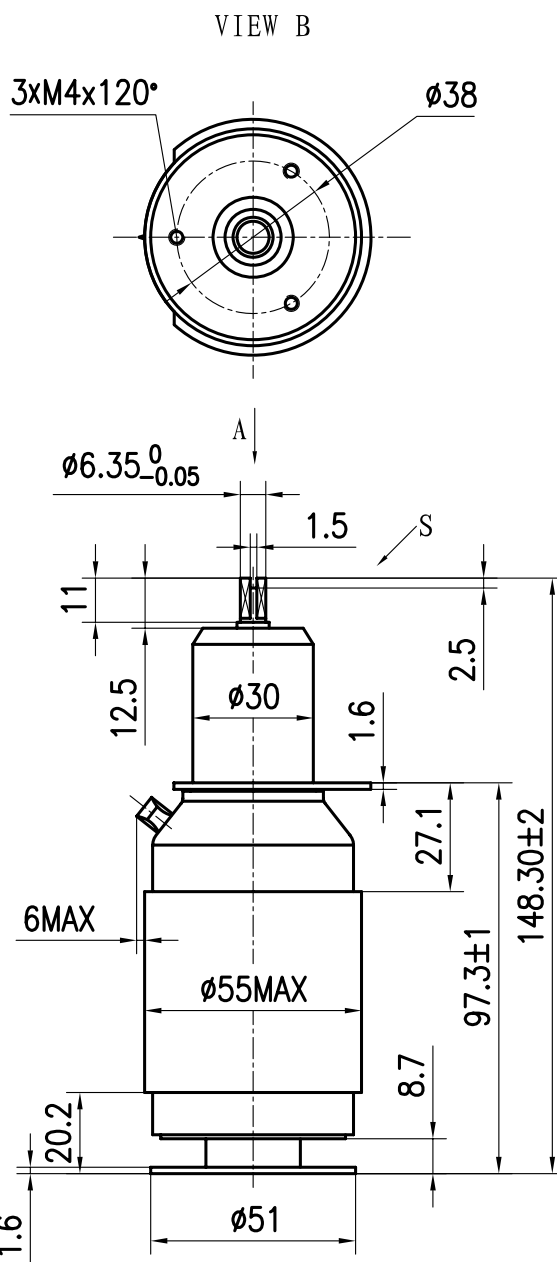


Data-Sheet-Variable Vacuum Capacitor
CKTB250/10/57



www.glvac.cn

Specification	
Capacity C_{max} (nominal)	250pF
Capacity C_{min} (nominal)	5pF
Voltage (Peak Test U_{pt} /Peak Working U_{pw})	15kV/9kV
Capacity tolerance (liner Range)	10%
Max. Current I_{max} at 13.56MHz with	57Arms
Conduction Cooling	10W
Capacitance per turn	14pF/turn
Torque	$\leq 0.15Nm$
Lead Screw	M6 \times 1
Net Weight	0.6kg



I_{max} at 25 °C ambient and 125 °C surface for convection and conduction (10w) cooling

