

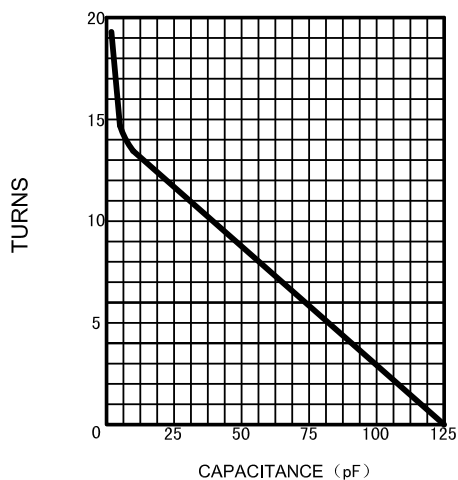
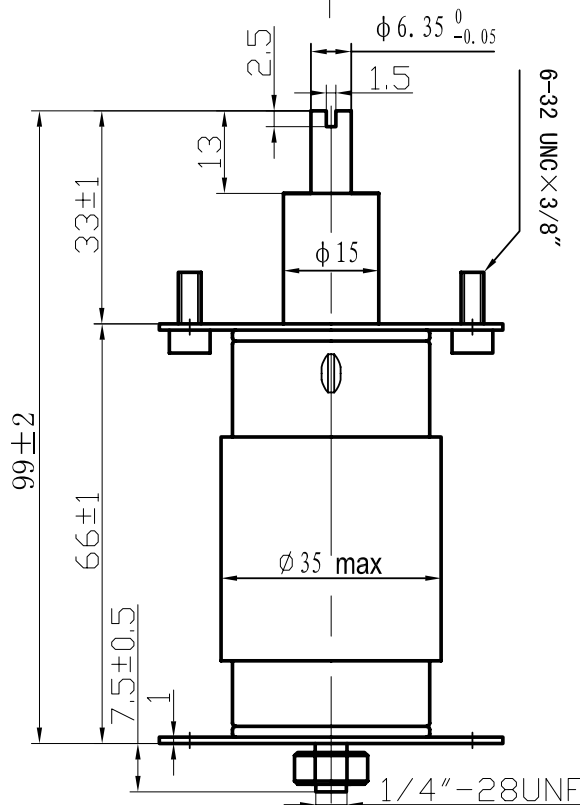
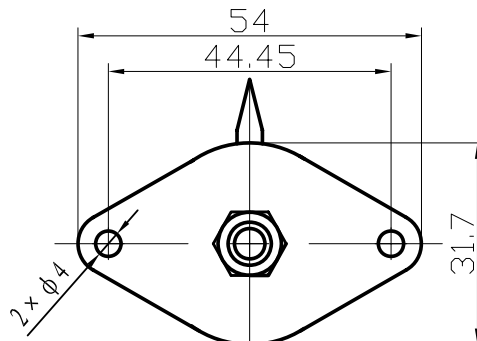


Data-Sheet-Variable Capacitor
CKTB125/4. 8/36



www.glvac.cn

Specification	
Capacity C_{max} (nominal)	125pF
Capacity C_{min} (nominal)	5pF
Voltage (Peak Test U_{pt} /Peak Working U_{pw})	8kV/4.8kV
Capacity tolerance (liner Range)	10%
Max. Current I_{max} at 13.56MHz with	36Arms
Conduction Cooling	10W
Capacitance per turn	8.4pF/turn
Torque	$\leq 0.15N \cdot m$
Net Weight	0.2 kg



I_{max} at 25° ambient and 125° surface temp. for convection and conduction (10W) cooling

